

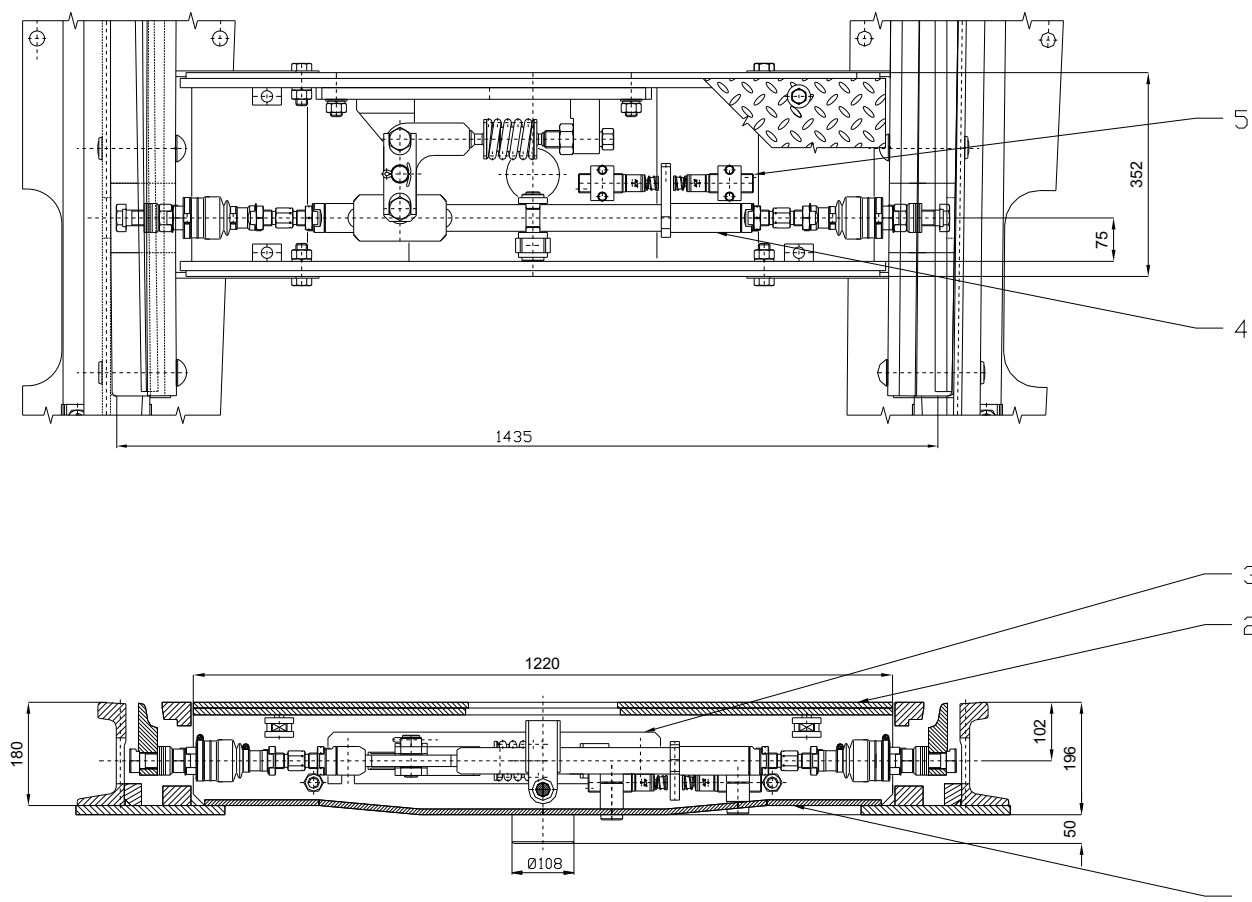
Trailing direction setting device VS-21

Setting device VS-21 is intended for holding blades of the trailing direction turnouts in extreme positions. It guarantees noiseless function, is ecologically harmless and features a long time lifetime with minimum demands for maintenance.



Securing:

- down-pressure of the setting rod to the position given by the last passage
- the setting device can be completed by signalling the position of the blades



Description:

Setting device VS-21 consists in a ground box (1) with a cover (2), in which a point box Z-60 (3) is fastened that controls the setting rod (4) and two impact dampers (5). The units are resistant to moisture - the materials and components used during production guarantee the high reliability of the equipment.

Technical parameters:

minimum track gauge	from 1,000 mm
lift of the changeable blades	36 to 60 mm
press-down force of the flexible mechanism	max. 4 kN
connection of the setting rod to the blades	bolt M27 or according to the turnout type
moment for manual resetting	100 to 250 Nm
permitted load of the axle on the cover of the ground box	12,000 kg
maximum mass of the ground box cover	40 kg
overall mass	approximately 200 kg